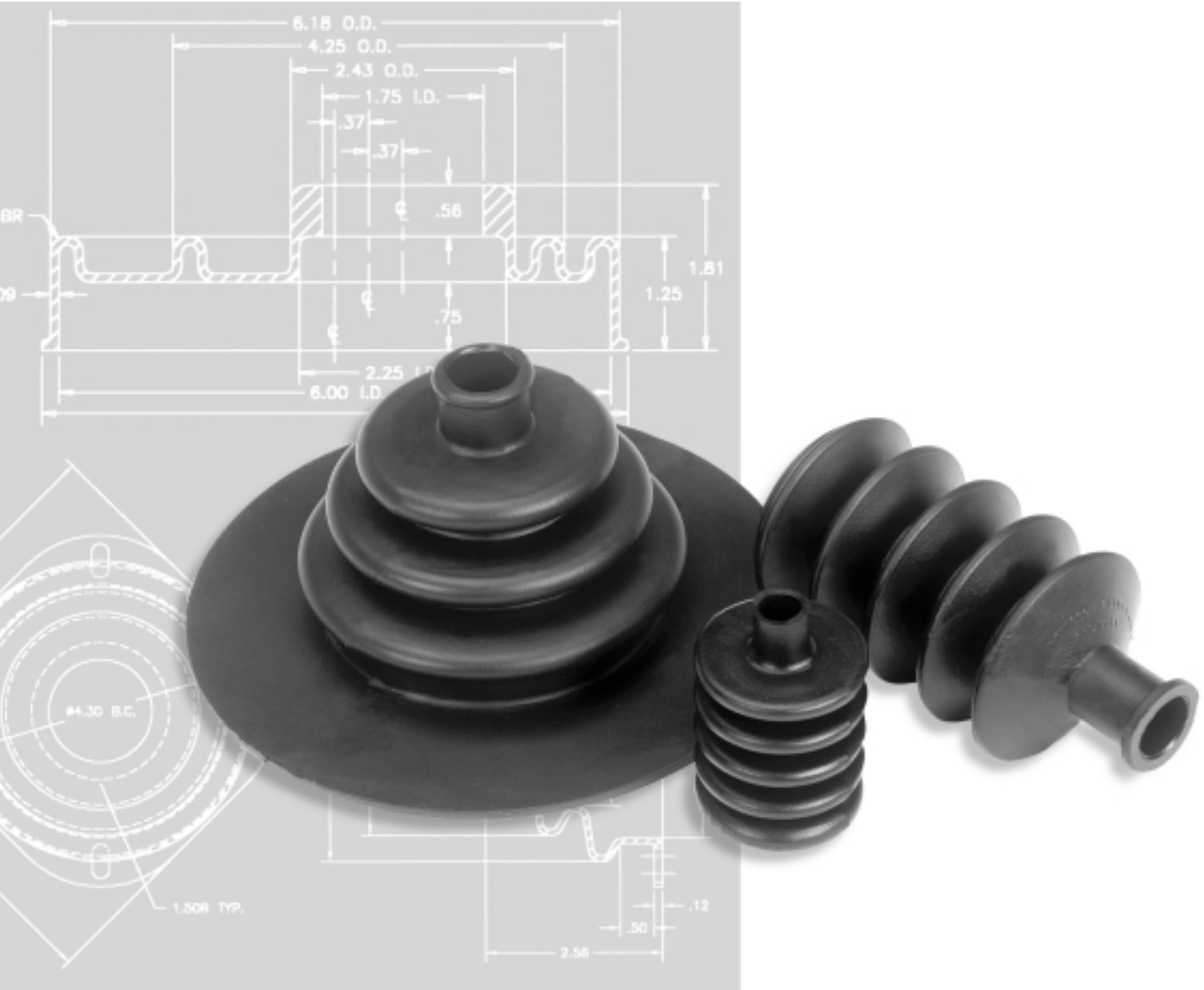


Rubber Boots and Bellows

Engineering Information and Product Specifications



Buckhorn Rubber Products, Inc.[®]

A Myers Industries Company

Rubber Boots and Bellows

Buckhorn Rubber manufactures a wide range of quality, injection-molded rubber products. We are a leading supplier to the heavy truck, agricultural and off-highway industries. For over eighty years, Buckhorn Rubber has combined big company capabilities with small company responsiveness.

Custom Design & Manufacturing Services

For applications requiring a special boot or bellow not shown here, Buckhorn Rubber offers complete custom design, engineering, and manufacturing services. We can analyze your requirements and specify the best material and design to meet a wide range of operating conditions, including:

- High and low temperatures
- Presence of oils, solvents, acids, alkalis or other fluids
- Abrasion and wear restrictions
- Sunlight, ozone, oxygen, and weathering conditions
- Flame retardancy

Snap-in fit systems can be incorporated into the design to eliminate the need for retainer rings and sheet metal screws while keeping moisture and sound out. If required, plastic inserts are available for various inner dimensions. Every design takes aesthetics and functionality into consideration so our boots look good as they flex and move.

Our experts work with you every step of the way, from concept and prototype testing to final production. Our experience and capabilities assure quality products delivered on time and at the right price.

This catalog contains only the most popular boot and bellow designs from our inventory. Dimensions are included to assist you in selecting the proper part for your application.

Buckhorn – The Name Means Quality

Our injection-molded manufacturing techniques provide a uniform, quality part with high resistance to tear and abrasion. During product design, we examine a number of factors including working environment, contaminants and mechanical stress, with the goal of increasing operating life and improving performance. We mix a wide range of elastomers, such as natural rubber, isoprene, GRS/SBR, butyl, EPDM, neoprene, nitrile and others, to can select a compound that minimizes stress at the point in the part where maximum movement and elasticity are required.

Buckhorn Rubber boots and bellows fit the total requirements of your application, last longer—and, in the long run, cost less.

Table of Contents:

Dust Seals / Bellows.....	3
Shift Lever Boots / Grommets.....	4
Steering Column Boots.....	6
Miscellaneous Boots.....	7

For More Information Contact:

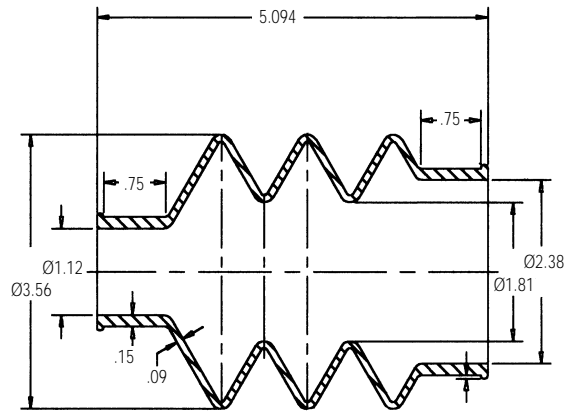
Director of Sales

Buckhorn Rubber Products, Inc.[®]

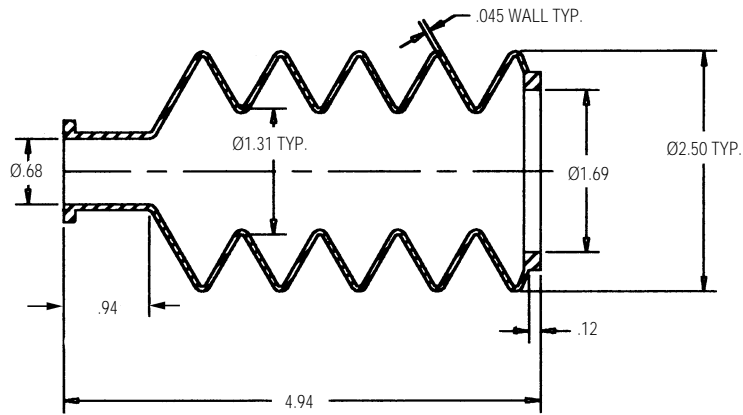
A Myers Industries Company

5151 Industrial Drive P.O. Box 998
Hannibal, Missouri 63401-0998
(573) 221-8933 Fax: (573) 221-7144
www.buckhornrubber.com

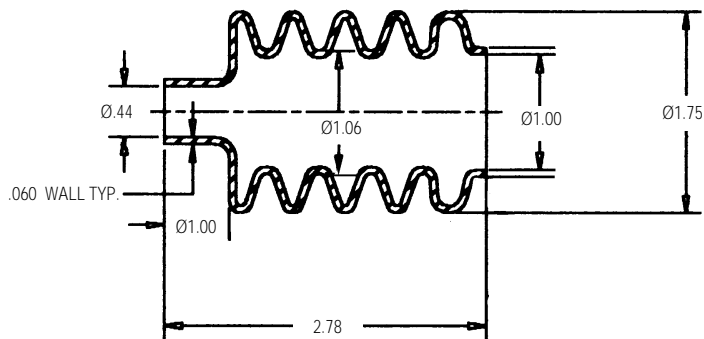
1448



1553

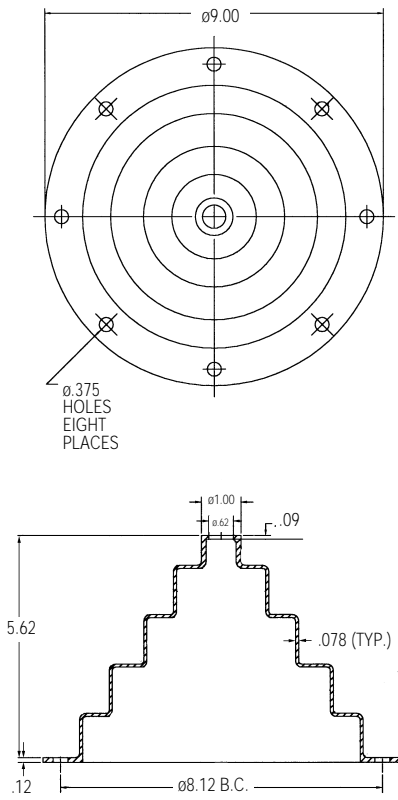


1558

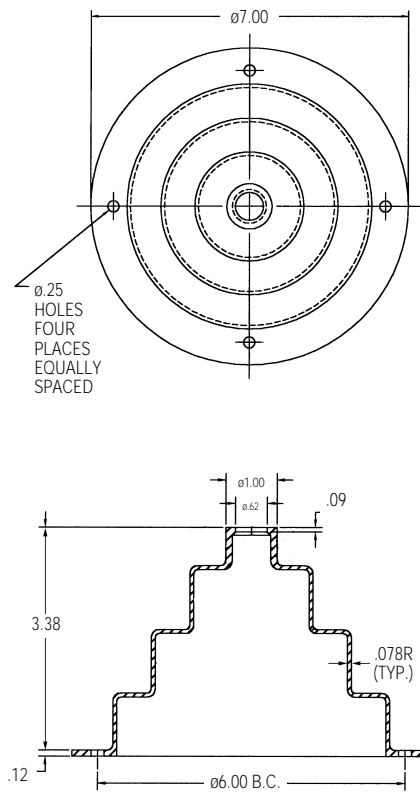


Shift Lever Boots / Grommets

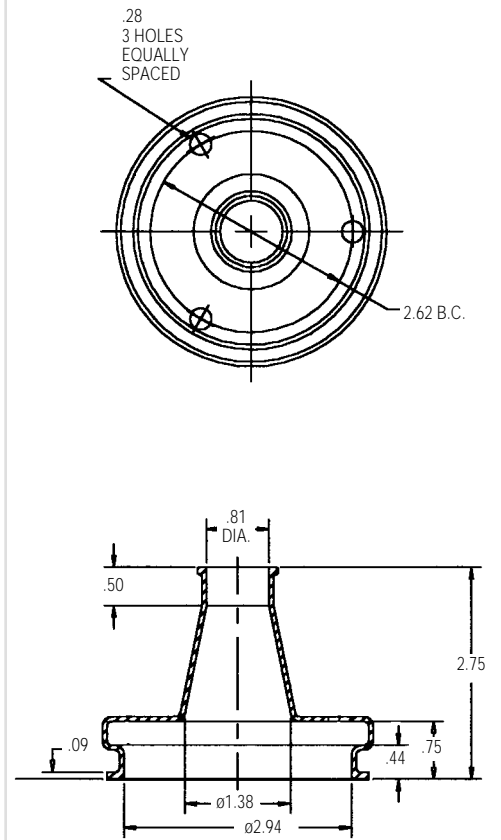
885



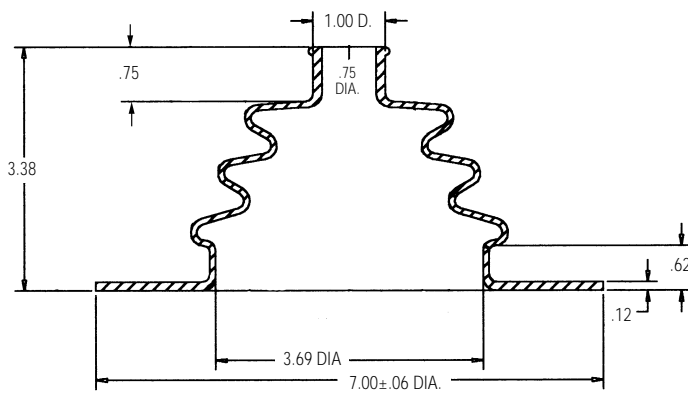
908



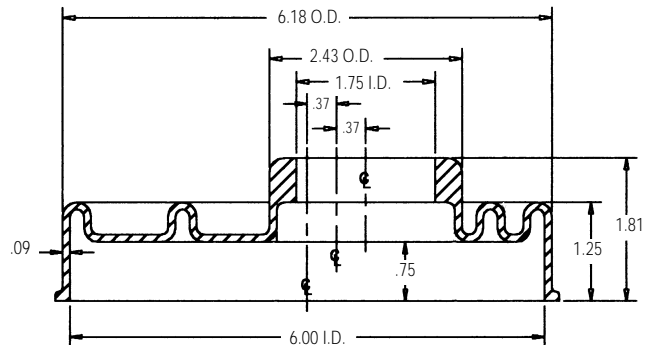
1385



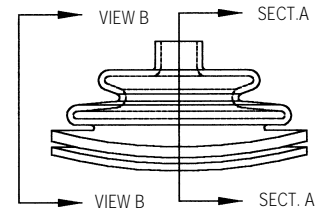
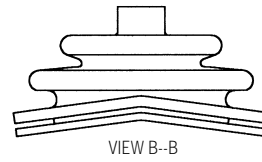
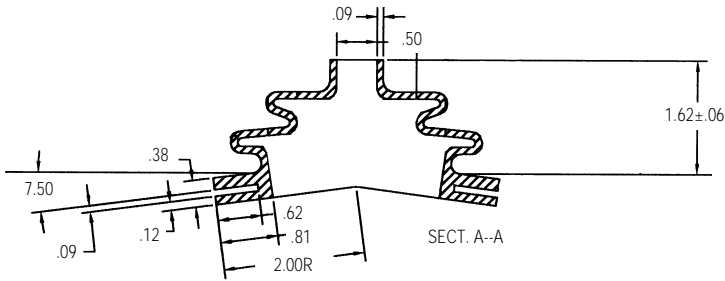
1103



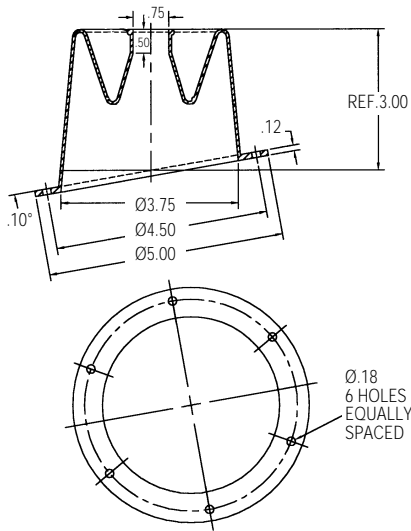
1106



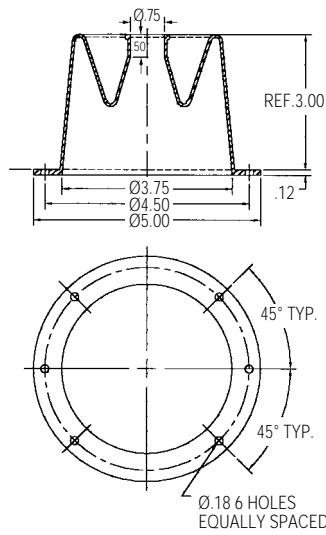
3259-D



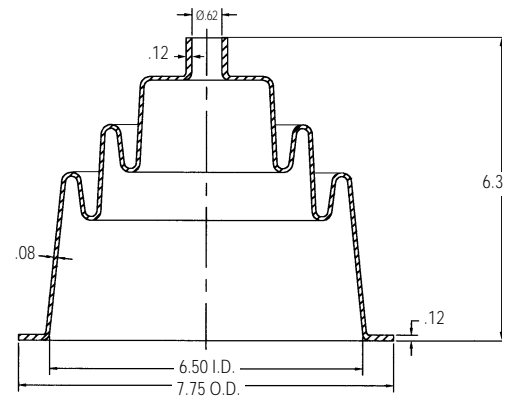
3183



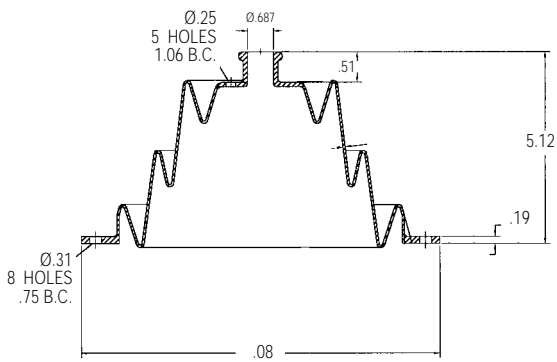
1382



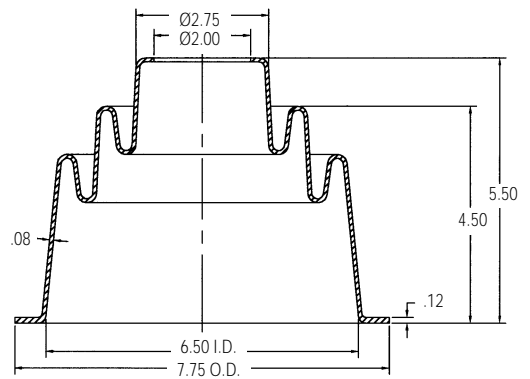
1102



2450

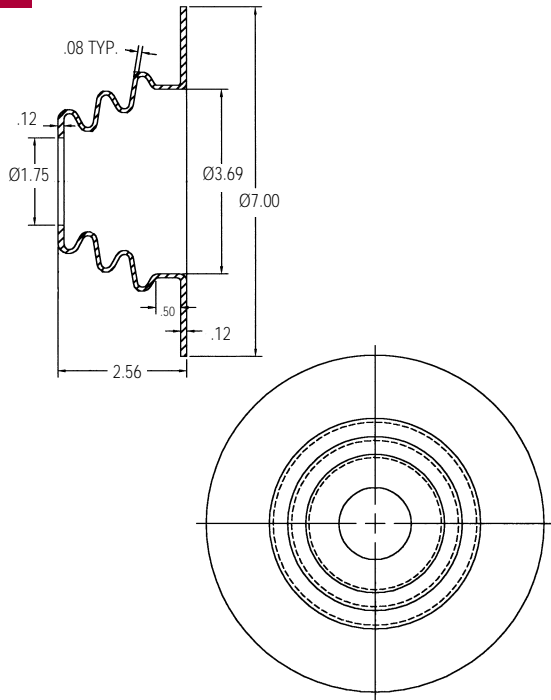


1101

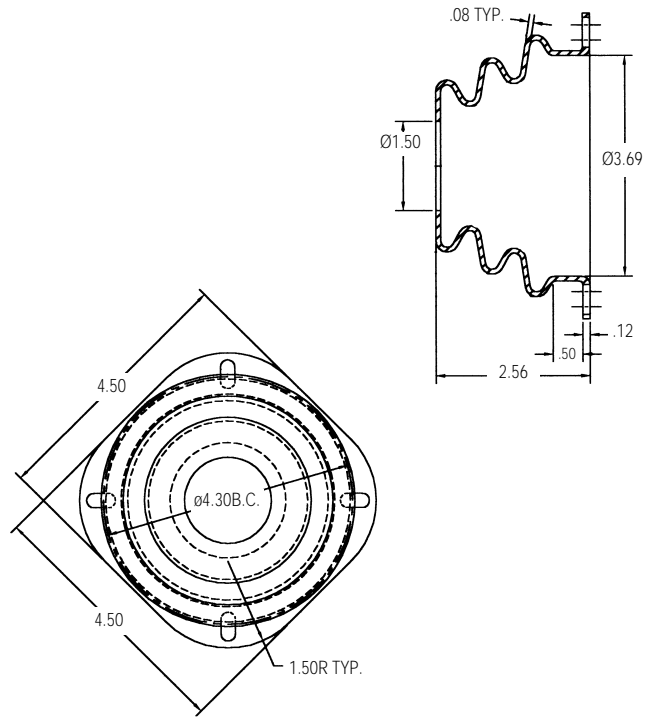


Steering Column Boots

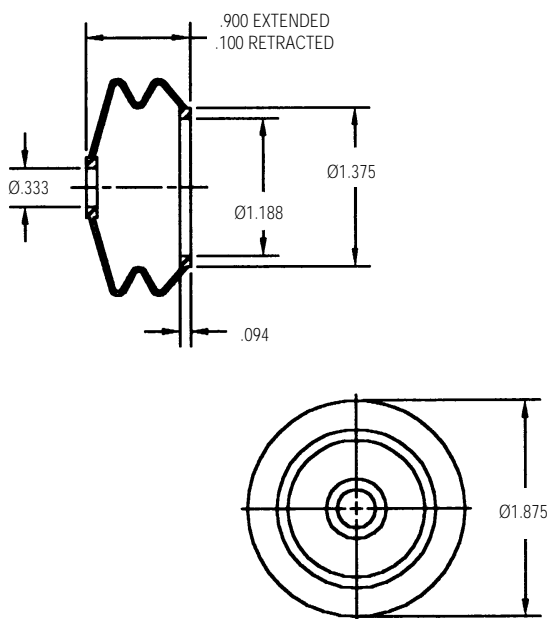
894



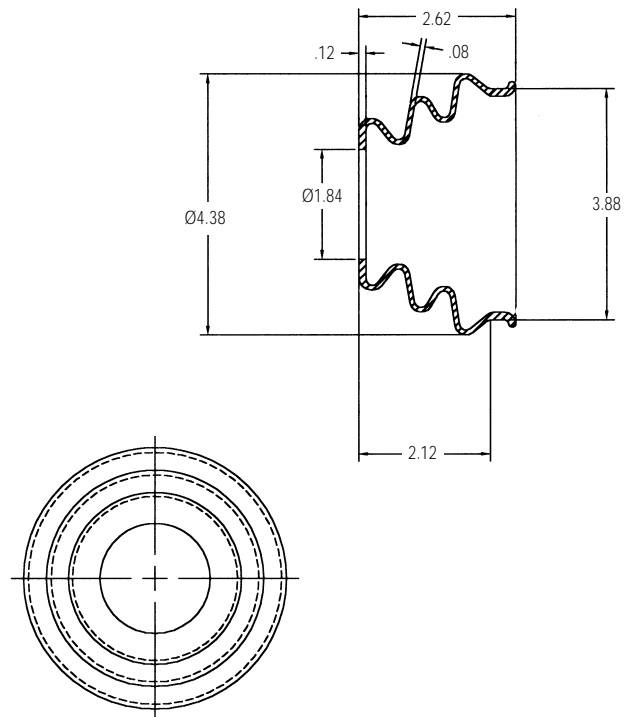
910-D



1292

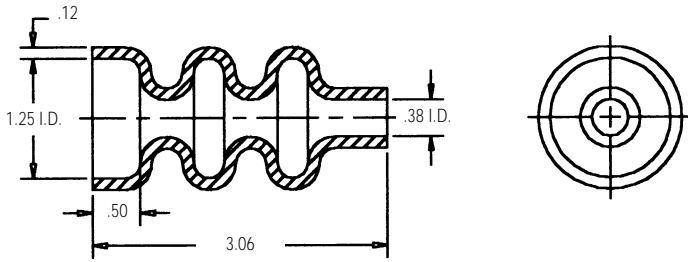


1386

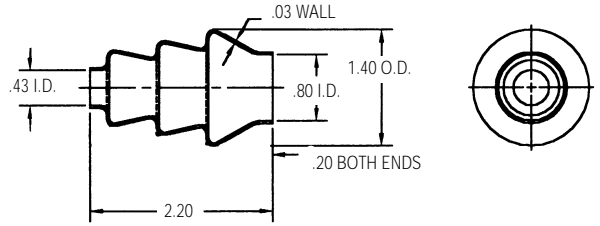


Miscellaneous Boots

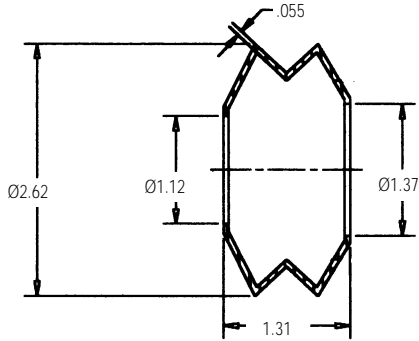
1291



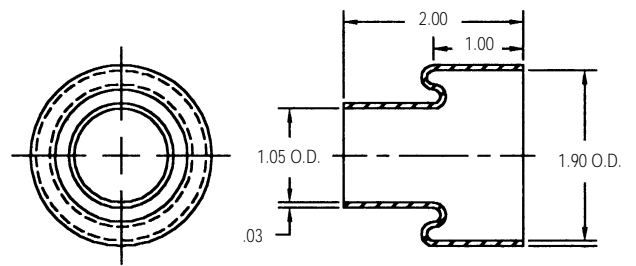
1293



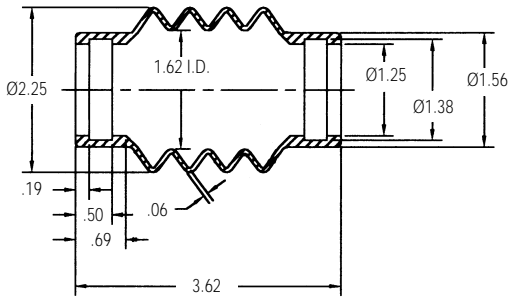
1302



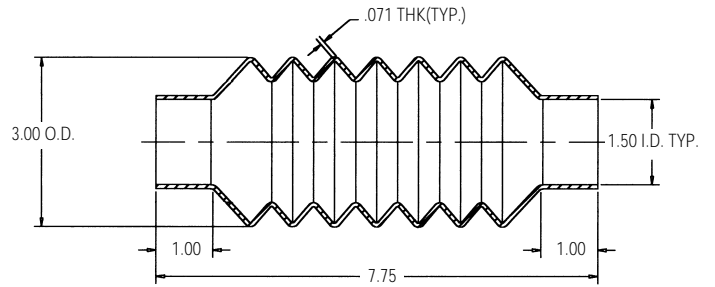
1312



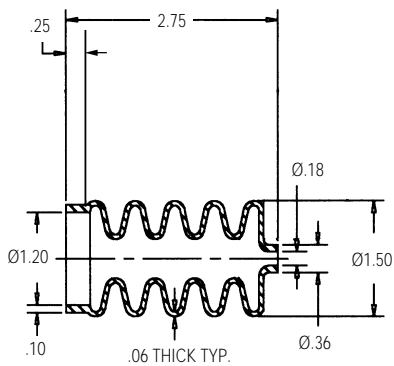
2431



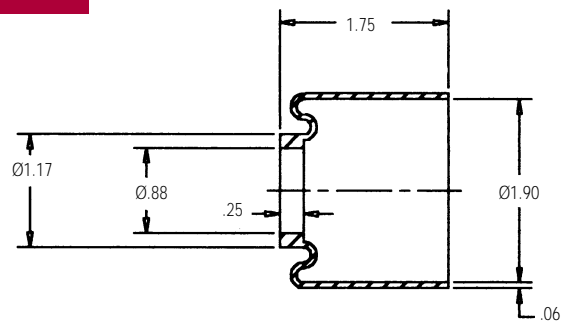
3168



3496



3663





*m*eeding Your Specialized Needs.

Buckhorn Rubber Products manufactures rubber replacement and original equipment parts at our Hannibal, Missouri plant to meet the specialized needs of the transportation, agricultural, and civil construction industries. Injection molded rubber parts include: flexible air intake hose, vibration isolators, rubber latches, rubber boots, bellows, and specialized rubber-to-metal bonding.

To find out more about us, please call (573) 221-8933.

Buckhorn Rubber Products, Inc.[®]

A Myers Industries Company

5151 Industrial Drive P.O. Box 998
Hannibal, Missouri 63401-0998
(573) 221-8933 Fax: (573) 221-7144
www.buckhornrubber.com