

# Latches, Hardware and Accessories

*Engineering Information and Product Specifications*



**Buckhorn Rubber Products, Inc.**<sup>®</sup>

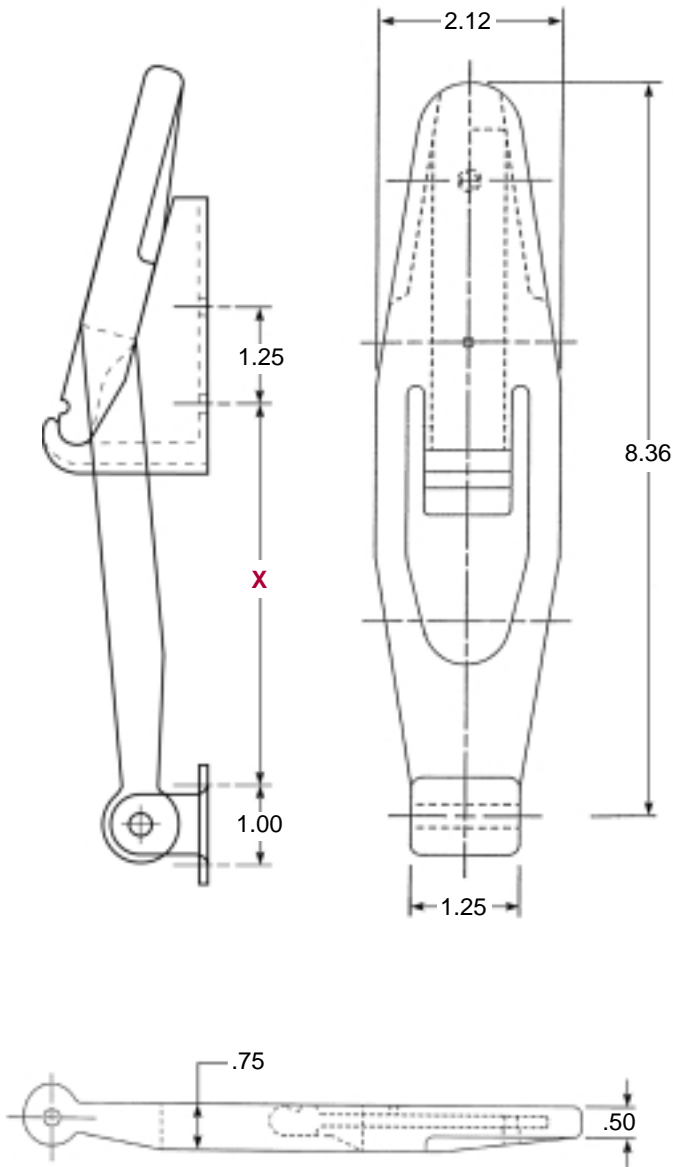
*A Myers Industries Company*

# Over the Center Hood Latches

Large rubber handles are easy to grasp and save money over the cost of chrome. The latches are notched for positive location, and one features an anti-vibration knob to eliminate noise. The sleek appearance of the modern design fits today's trucks.

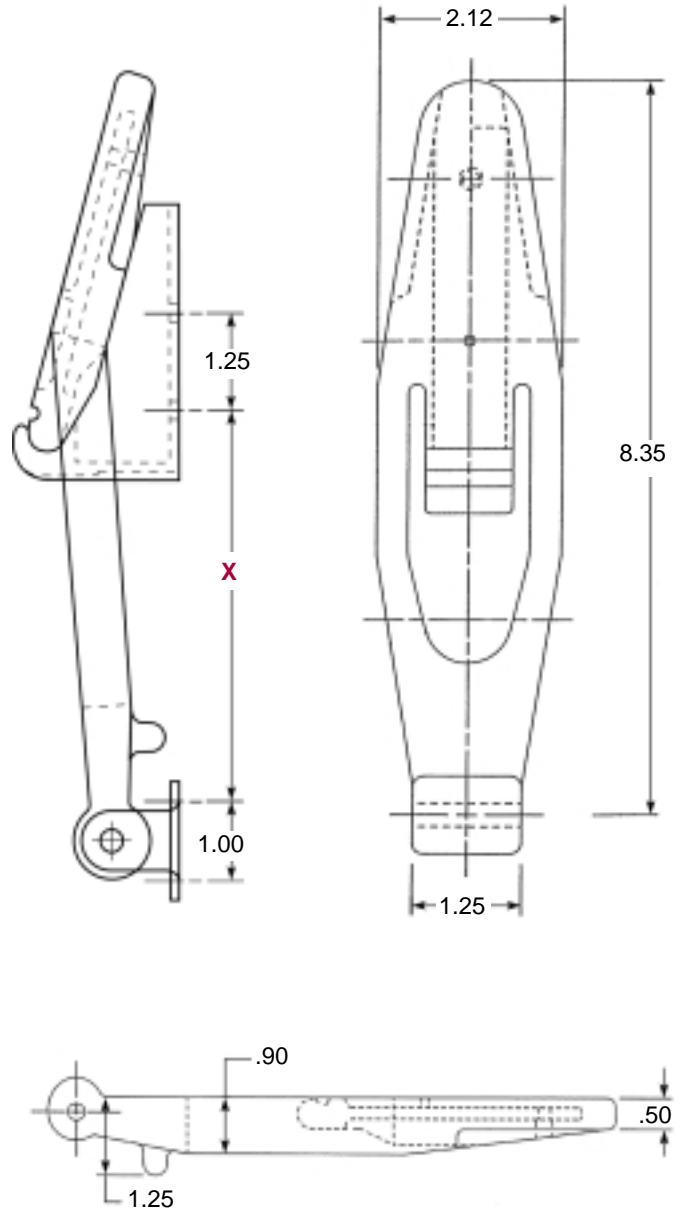
Hardware required for installation located on page 5. Anchor bracket included on drawings to indicate typical mounting only. Anchor brackets can be riveted to rubber latches in the Buckhorn Rubber factory.

## 8694-2



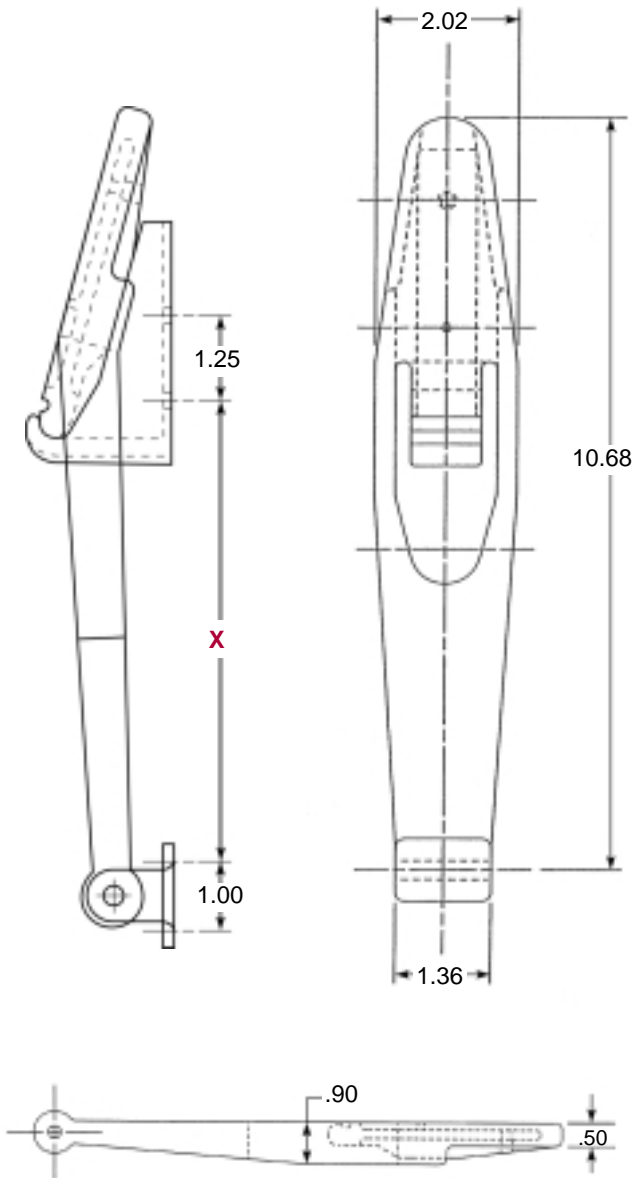
Mounting Distance X	Pull Force In Pounds
4.0	48
4.5	70
5.0	88
5.5	103

## 8694-1



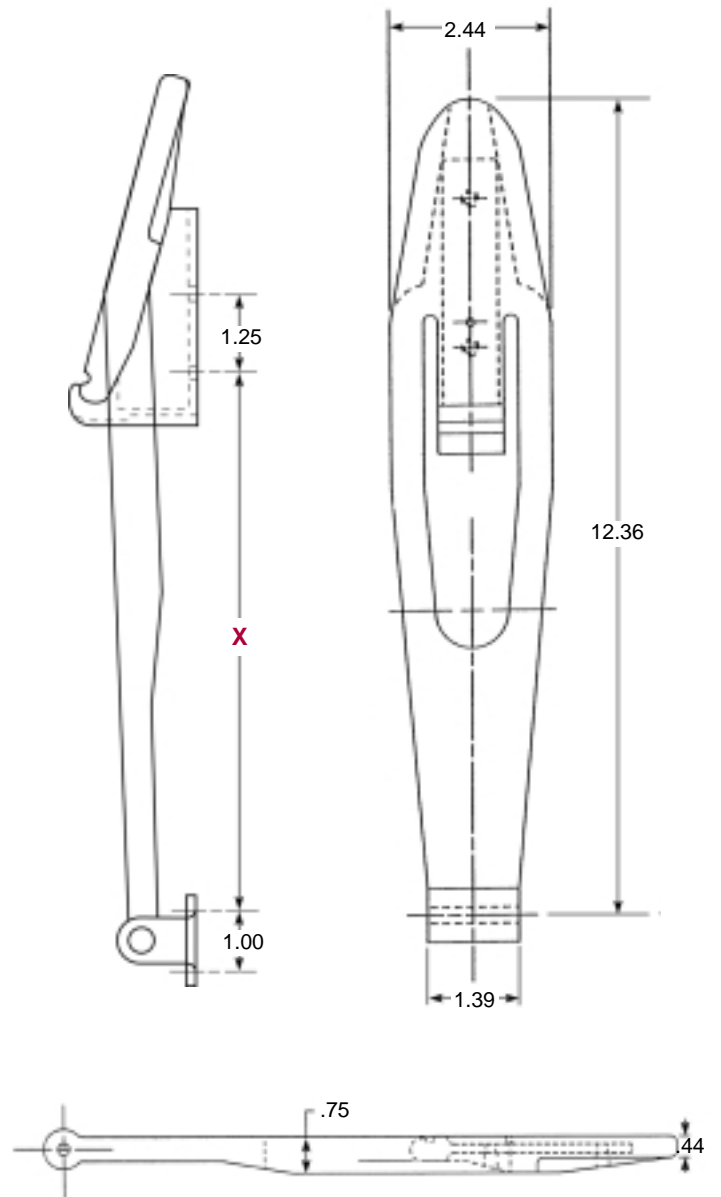
Mounting Distance X	Pull Force In Pounds
4.0	56
4.5	82
5.0	103
5.5	121

**8756**



Mounting Distance X	Pull Force In Pounds
6.5	47
7.0	66
7.5	81
8.0	94

**8566**

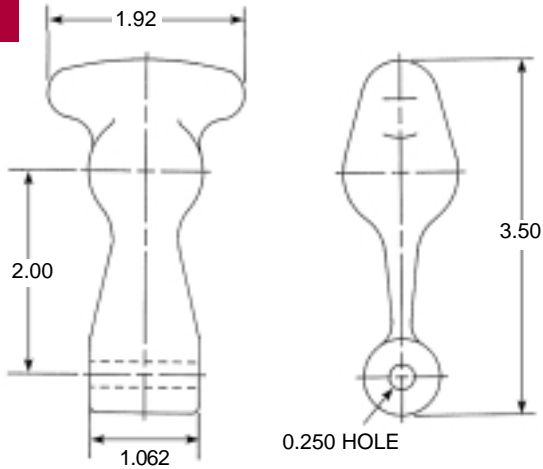


Mounting Distance X	Pull Force In Pounds
7.5	45
8.0	64
8.5	82
9.0	98

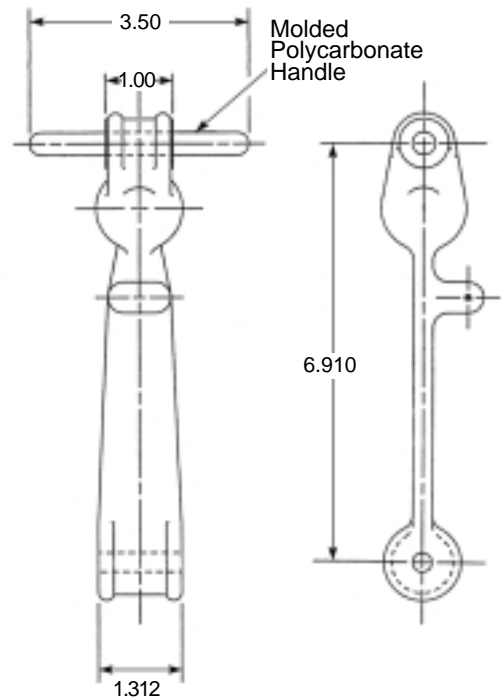
# Rubber Latches

Suitable for a variety of applications. Use as truck hood, battery box or hatch cover fasteners. Easy to install, they fit snugly without squeaks or lubrication. High quality rubber body is impervious to weather, chemicals and dirt, and will withstand a temperature range of -65° to +250° F.

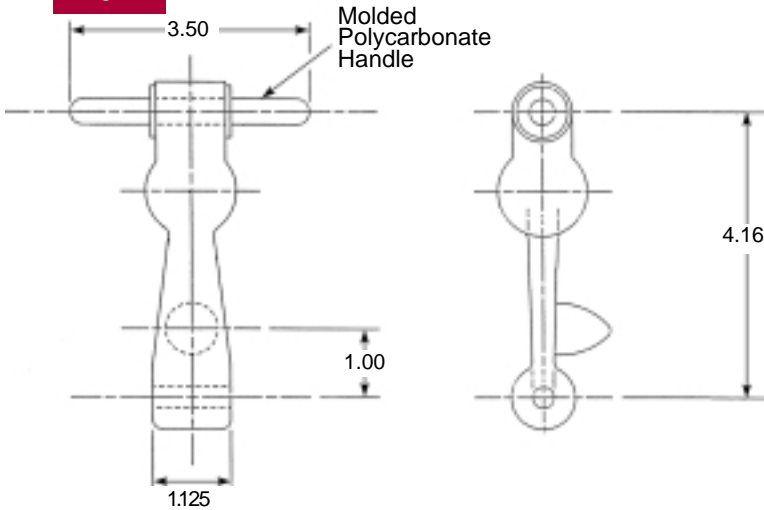
**1376**



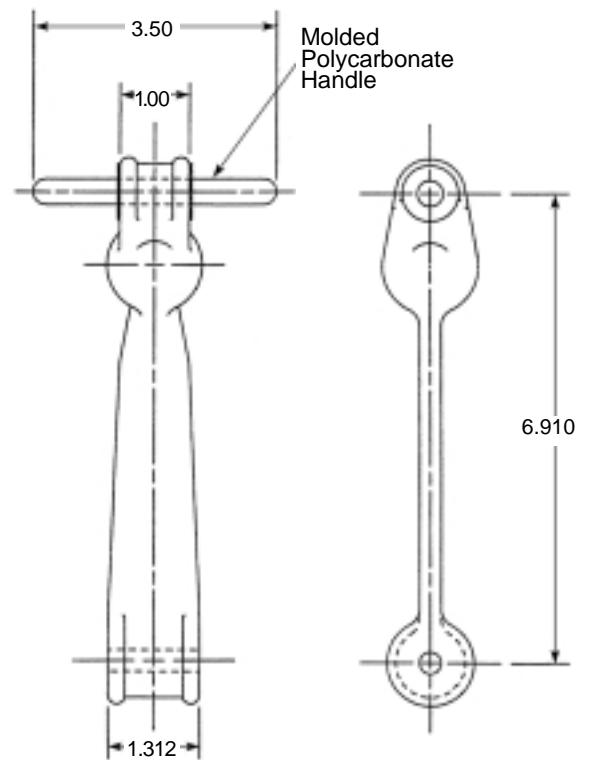
**638**



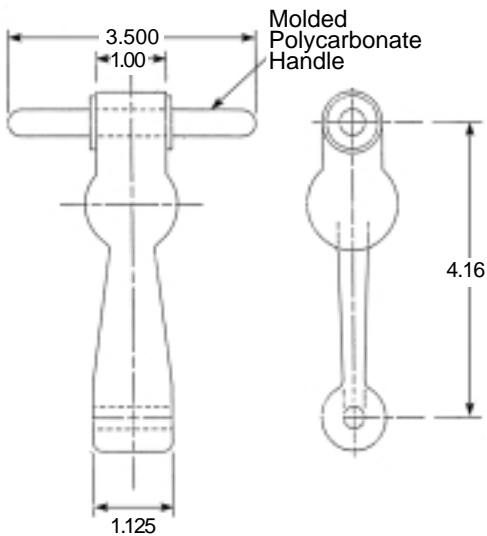
**794**



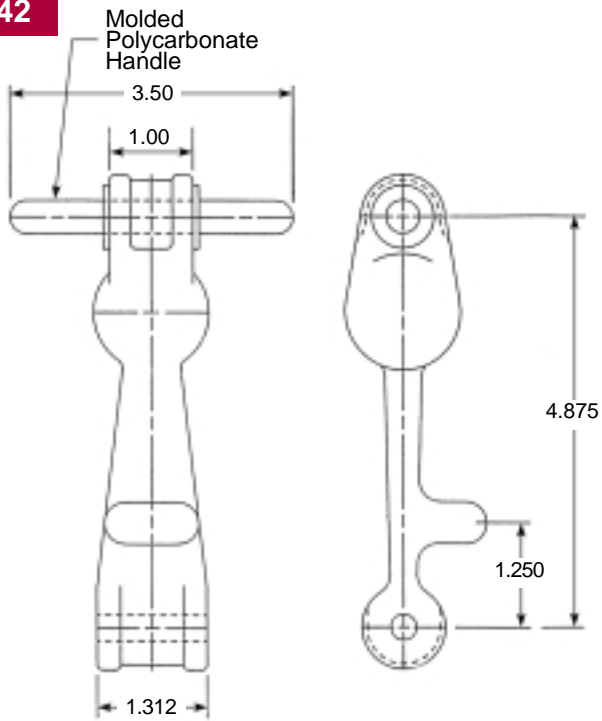
**638-1**



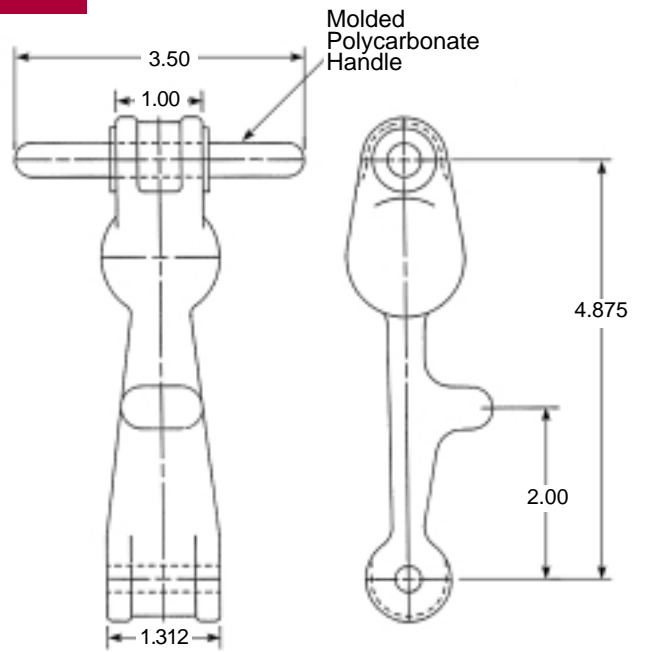
**794-1**



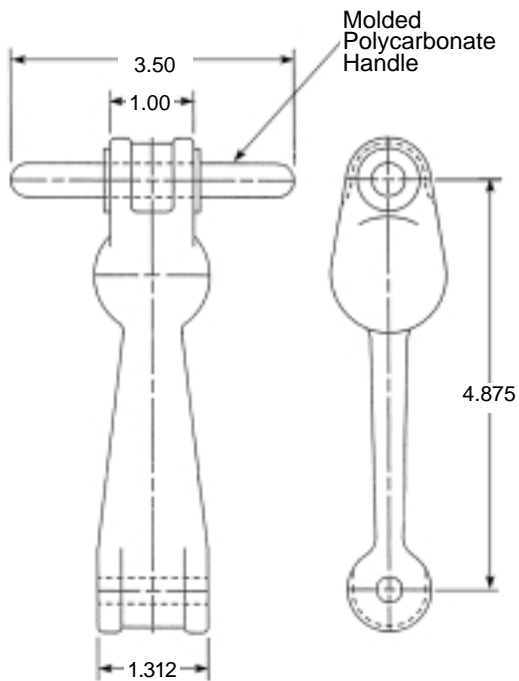
**842**



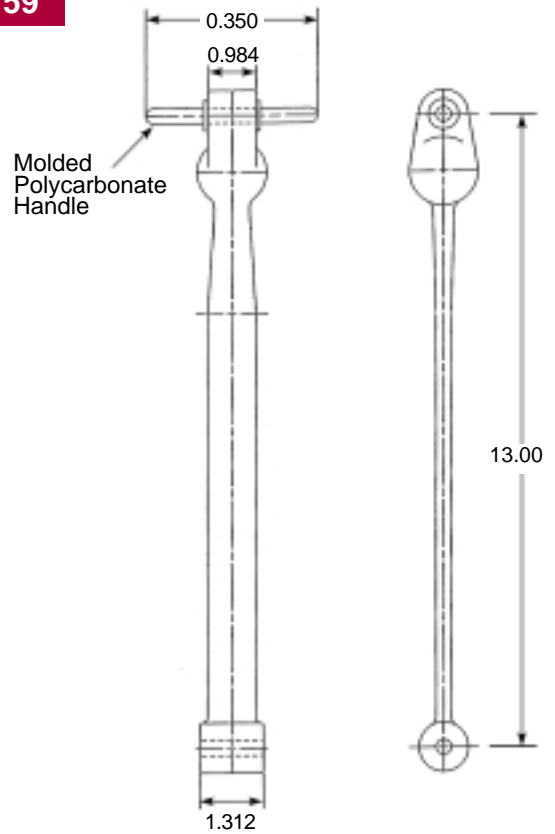
**842-2**



**842-1**



**3159**



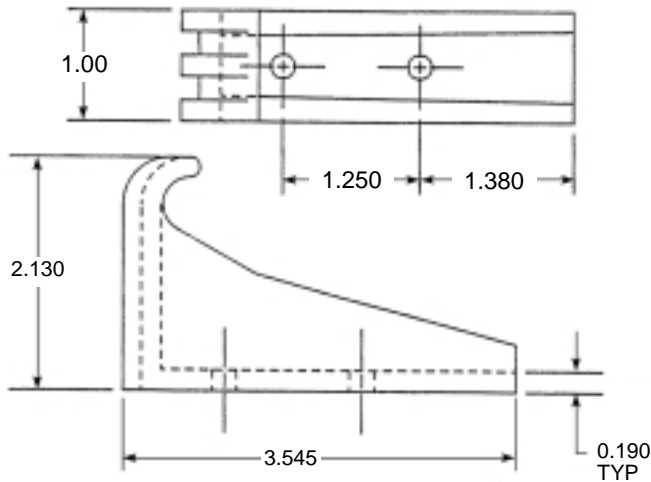
# Hardware and Accessories

## Hardware for Over the Center Hood Latches

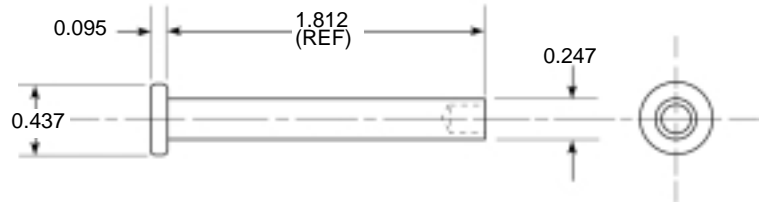
Hardware designed specifically for use with Buckhorn Rubber's Over-the-Center Hood Latches. Accurate dimensions simplify installation. All hardware is available in stainless steel for durability.

### Catch Bracket PI-8574

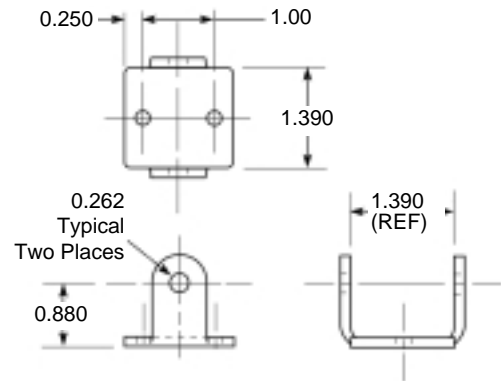
Material: Lexan 500 or equivalent



### MI - 8575 Rivet



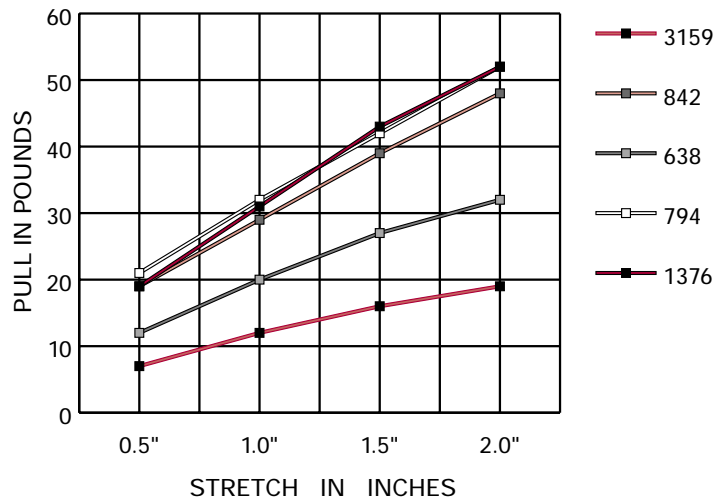
### MI - 8639 Hood Anchor Bracket



## Hardware for Rubber Latches

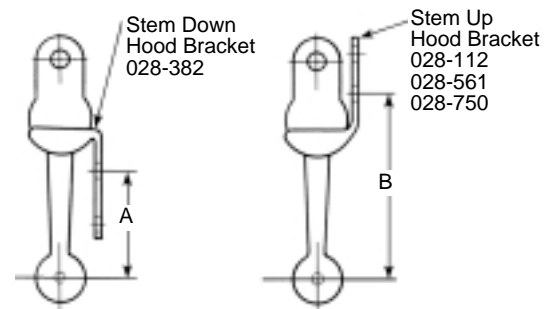
### Mounting Criteria

LOAD DEFLECTION CHART



STRETCH IN INCHES

Part	0.5"	1.0"	1.5"	2.0"	PULL IN POUNDS
1376	19	31	43	52	
794	21	34	44	54	
794-1	21	32	42	52	
638	12	20	27	32	
638-1	15	23	30	37	
842	19	30	40	49	
842-1	17	26	34	42	
842-2	19	29	39	48	
3159	7	12	16	19	



## Hardware for Rubber Latches

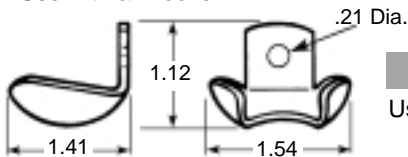
Designed especially for use with Buckhorn Rubber Latches so you can be assured of a durable product suited to the demands of your application. Precision made from high quality steel, with a special hot-zinc bright finish. Also available chrome plated on special order.

Any hood bracket can be used with any Buckhorn Rubber Latch, with the exception of the Over-the Center Latches. Anchor bolts, pins and brackets must be used with the corresponding hood bracket.

### Hood Brackets - Short Stem-Up

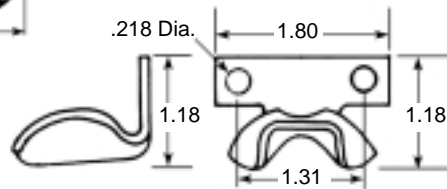
**028-112**

Use with all hooks.



**028-600**

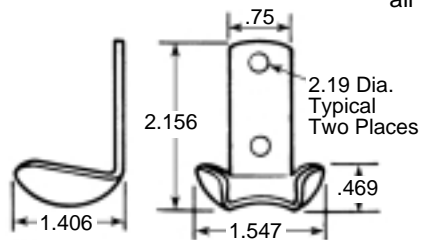
Use with all hooks.



### Stem-Up

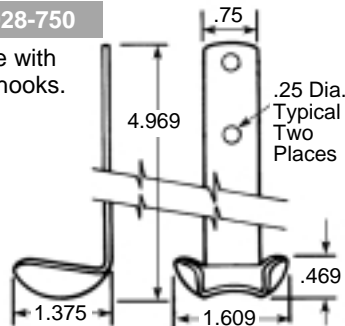
**028-561**

Use with all hooks.



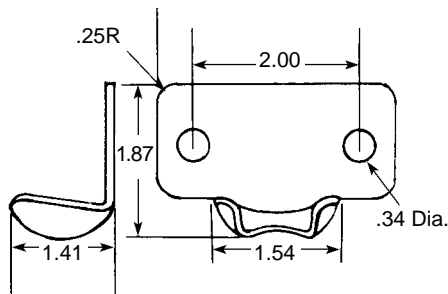
**028-750**

Use with all hooks.



**028-650**

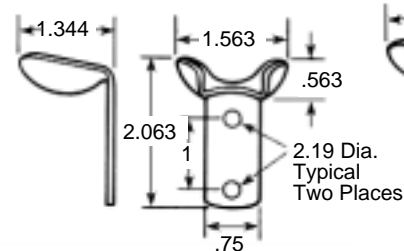
Use with all hooks.



### Stem Down

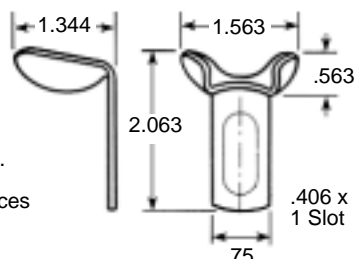
**028-382**

Use with all hooks.



**028-400**

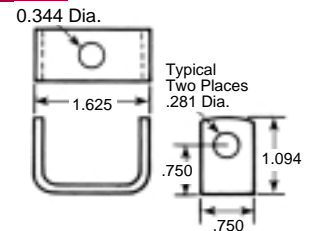
Slotted  
Use with all hooks.



### Anchor Brackets

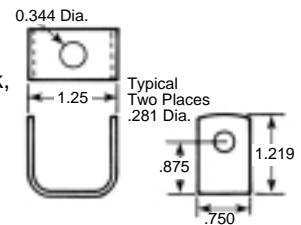
**277-A-80**

Use with Nos. 842-2, Hood Hook Medium length, 638, and 3159.



**277-A-80-1**

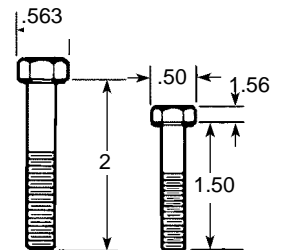
Use with Nos. 794 Hook, 794-1 Hook, and 1376.



### Anchor Bolts

**5/16" NF x 2"**

Use with Nos. 842-2, Hood Hook Medium Length, 638 and 3159.



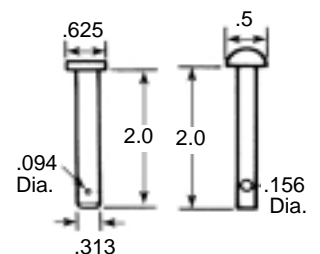
**1/4" NC x 1 1/2"**

Use with Nos. 794 Hook, 794-1 Hook and 1376.

### Anchor Pins

**179-A-54**

Use with Nos. 842-2, Hood Hook Medium Length, 638 and 3159.



**179-A-55**

Use with Nos. 842-2, Hood Hook Medium Length, 638 and 3159.



## *m*eeding Your Specialized Needs.

Buckhorn Rubber Products manufactures rubber replacement and original equipment parts at our Hannibal, Missouri plant to meet the specialized needs of the transportation, agricultural, and civil construction industries. Injection molded rubber parts include: flexible air intake hose, vibration isolators, rubber latches, rubber boots, bellows, and specialized rubber to metal bonding.

To find out more about us please call  
(573) 221-8933.

**Buckhorn Rubber Products, Inc.**<sup>®</sup>

*A Myers Industries Company*

5151 Industrial Drive P. O. Box 998,  
Hannibal, Missouri 63401-0998  
(573) 221-8933 Fax: (573) 221-7144  
[www.buckhornrubber.com](http://www.buckhornrubber.com)